

## FIRE-RATED, NARROW-PROFILE ALUMINUM FRAMES

Fireframes® Aluminum Series combined with Pilkington Pyrostop® glass, provides a barrier to radiant and conductive heat transfer. The narrow steel sub-frame and extruded aluminum cover caps allow for unlimited areas of glazing in interior and exterior fire separations.



**FIRE RATING**  
45 / 60 / 120 MINUTES



**PATENT NO.**  
9,045,900

### FEATURES

- Fire ratings of 45-120 minutes
- Patented system features steel sub-frame with an extruded aluminum cover cap allowing for crisp edges and narrow sightlines
- Custom aluminum face caps available to meet project needs
- Easy installation
- Frames supplied “K-D” (knock-down) ready for installation
- Incorporates large individual panes of Pilkington Pyrostop fire-resistive-rated glass, comprised of low-iron Pilkington OptiWhite™ glass and clear intumescent interlayers
- Compatible with doors in full-lite single leaf or double leaf design from TGP (see Fireframes® Designer Series or Fireframes Heat Barrier Series)
- Standard finish is clear anodized. Powder coating and other anodized finishes are available
- Door hardware available to fit functional requirements. Check with TGP for compatibility
- Passes wall assembly test standard UL 263 / ASTM E119 for 60 and 120 minute ratings

### LISTINGS/STANDARDS

Classified and labeled by Underwriters Laboratories, Inc.® and Underwriters Laboratories of Canada. File numbers R19207 (doors), R25229 (windows), R25274 (walls), design number U558 (U416 Canada). Frame tests performed in accordance with:

UL 9	NFPA 251	CAN/ULC-S101	ASTM E119	LARR 25798
UL 10B	NFPA 257		ASTM E283	
UL 263			ASTM E330	
			ASTM E331	

### SPECIFICATIONS

Complete 3-part CSI format specifications are available online at [fireglass.com](http://fireglass.com), or by calling 800.426.0279.



BIM 3D Model



Declare Label



Fire-Rated



Hose Stream Tested



Heat Barrier



Positive Pressure Tested



UL Classified & Labeled



NORTH AMERICA'S  
**MOST SPECIFIED**  
FIRE-RATED GLASS COMPANY

## FRAMING

RATING	MAX. EXPOSED GLASS AREA PER PIECE	MAX. EXPOSED GLASS DIMENSION
45 min.*	4,500 in <sup>2</sup> (2.90 m <sup>2</sup> )	95-1/4 in (2.42 m)
60 min.**	7,442 in <sup>2</sup> (4.80 m <sup>2</sup> )	118-1/8 in (3.00 m)
120 min.**	3,730 in <sup>2</sup> (2.41 m <sup>2</sup> )	111 in (2.81 m)

\*45 minute window systems are classified as an Opening Protective as per UL 9 with a maximum overall frame size of 152 square feet.

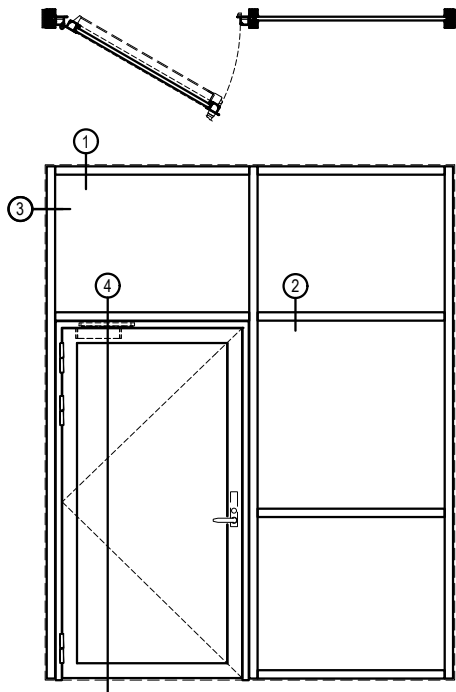
\*\* 60 and 120-minute tests conducted per UL 263 / ASTM E-119.

Therefore assembly is classified as a wall assembly, and not subject to "opening" area limitations.

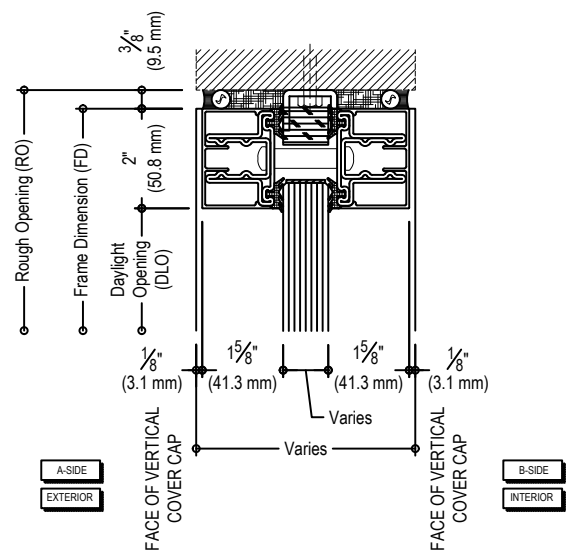
## DOORS

RATING	MAX. SINGLE DOOR LEAF SIZE	MAX. EXPOSED GLASS SIZE PER PIECE
Fireframes Designer Series		
20 min.	42" x 96" (1.07 m x 2.44 m)	36" x 89" (.91 m x 2.26 m)
45 min.	42" x 96" (1.07 m x 2.44 m)	36" x 89" (.91 m x 2.26 m)
60 min.	42" x 96" (1.07 m x 2.44 m)	36" x 89" (.91 m x 2.26 m)
90 min.	43" x 95-7/8" (1.09 m x 2.44 m)	36" x 56-1/2" (divided lite door) (.91 m x 1.44 m)
Fireframes Designer Series Temperature Rise Doors with Pilkington Pyrostop		
60 min.	43" x 95-7/8" (1.09 m x 2.44 m)	35-7/8" x 88-3/4" (.91 m x 2.25 m)
90 min.	43" x 95-7/8" (1.09 m x 2.44 m)	35-7/8" x 88-3/4" (.91 m x 2.25 m)
Fireframes Heat Barrier Series Temperature Rise Doors with Pilkington Pyrostop		
60 min.	48-7/8" x 95-15/16" (1.24 m x 2.44 m)	41-5/8" x 89-3/4" (1.06 m x 2.28 m)
90 min.	48-7/8" x 95-15/16" (1.24 m x 2.44 m)	41-5/8" x 89-3/4" (1.06 m x 2.28 m)

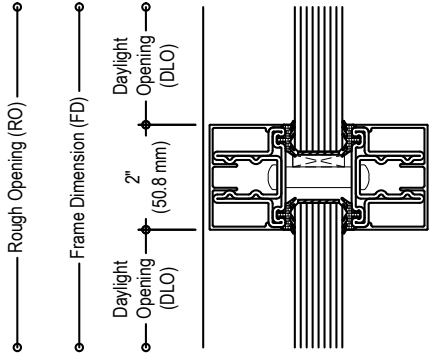
## ELEVATION VIEW



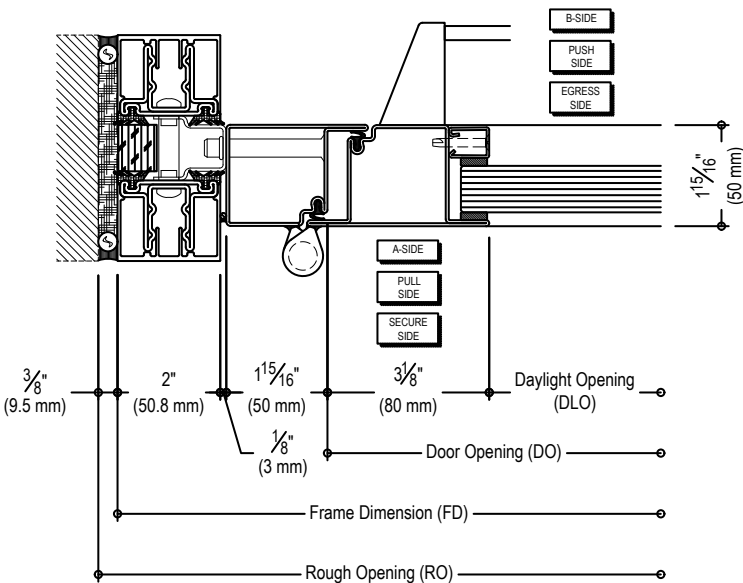
### 1 HEAD SECTION INTERIOR APPLICATION



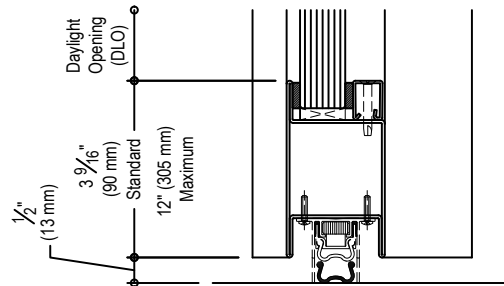
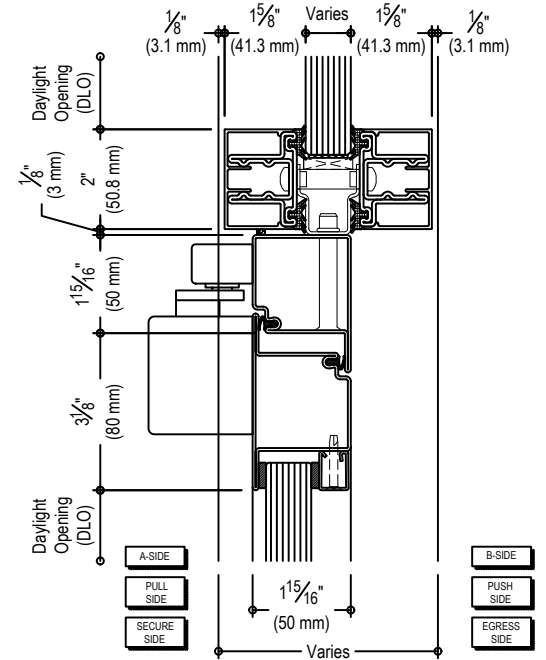
**2** INTERMEDIATE HORIZONTAL MULLION SECTION  
INTERIOR APPLICATION



**3** VERTICAL MULLION WITH OUTSWING DOOR  
AT PIVOT JAMB



**4** DOOR HEADER WITH TRANSOM, DOOR  
MID RAIL AND BOTTOM RAIL



Details shown use Fireframes Designer Series Doors by TGP.